

# CRS Rotation Stage

## UHV Rotation Stage

AML ultra high vacuum compatible rotation stages are intended for intermittent rotation of balanced loads or as a precision gearbox. They are manufactured with UHV compatible material and construction methods and utilize AML D35.1 UHV stepper motors.

The CRS10K/20K/30K can be mounted directly on AML LTV translation stages or stacked on another CRS without additional hardware. Standard fixing - hole patterns are provided on the side "B", base "A" and rotating table "C"

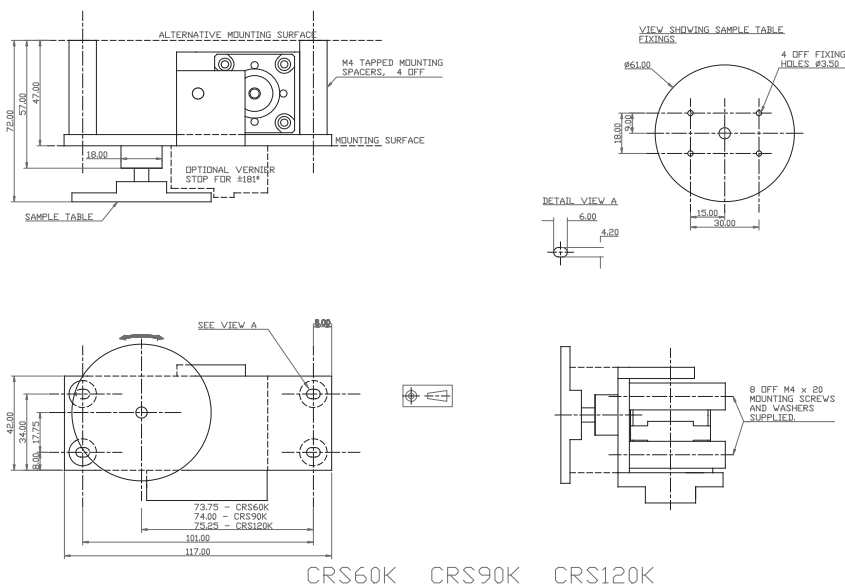
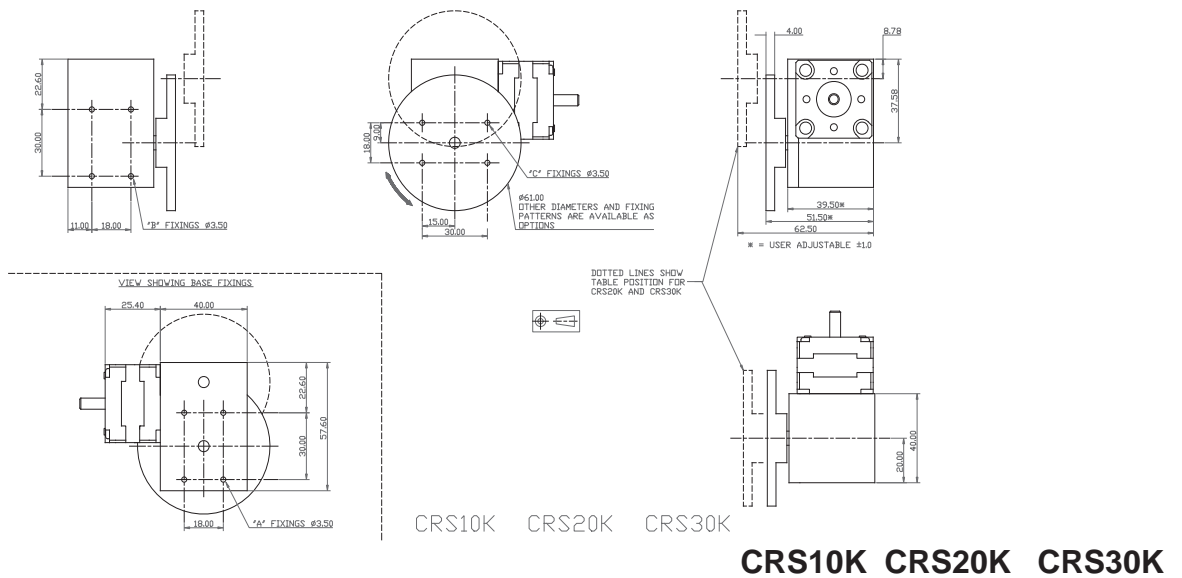


## SPECIFICATIONS

Model	CRS10K	CRS20K	CRS30K	CRS60K	CRS90K	CRS120K
Rotation range	360°					
Resolution in full steps	0.036°	0.018°	0.012°	0.006°	0.004°	0.003°
Steps per revolution	10,000	20,000	30,000	60,000	90,000	120,000
Maximum loaded speed	1kHz 10sec/rev	1kHz 20sec/rev	1kHz 30sec/rev	2kHz 30sec/rev	2kHz 45sec/rev	2kHz 60sec/rev
Load capacity Vertical	1kg					
Load capacity Horizontal	10kg					
Backlash (Unloaded)	Less than resolution					
Vacuum	1 x 10 <sup>-10</sup>					
Max. Temperature	200°C					
Motor	D35.1					
Weight, including motor	640g	710g	710g	940g	940g	940g

As standard CRS rotational stages are supplied lubricated with Nyetorr® 6300 low-vapour pressure ( $6 \times 10^{-12}$  mbar) grease. Dry lubrication with molybdenum disulfide is available as an alternative option but this will reduce the expected life of the worm wheel to <500 hours of motion.

## DIMENSIONS



## ORDERING INFORMATION

Order Code	
CRSxxK	Rotation stage
Related products	
SMD210	Stepper motor drive
MLF18F	18-way electrical feedthrough
MLF18NBL	3-metre lead, SMD210 to MLF18F
LTVxxL	Translation stage, 1µm (xxx = travel in mm)



Arun Microelectronics Ltd  
Fitzalan Road  
Arundel  
West Sussex  
BN18 9JS

Tel: +44 (0)1903 884141  
email: sales@arunmicro.com

AML pursues a policy of continuous improvement and reserves the right to make detail changes to specifications without consultation. E and OE.

[www.arunmicro.com](http://www.arunmicro.com)