



ARUN MICROELECTRONICS LTD

PV Pirani Gaugeheads

Pirani Gaugeheads for use with AML Ion Gauge Controllers

Pirani gauges detect the cooling effect of residual gas molecules on a heated filament. The rate of heat-transfer to the gas is related to pressure and causes a change in the electrical resistance of the filament or the amount of power required to maintain it at constant temperature. The filament is normally connected in a bridge circuit.



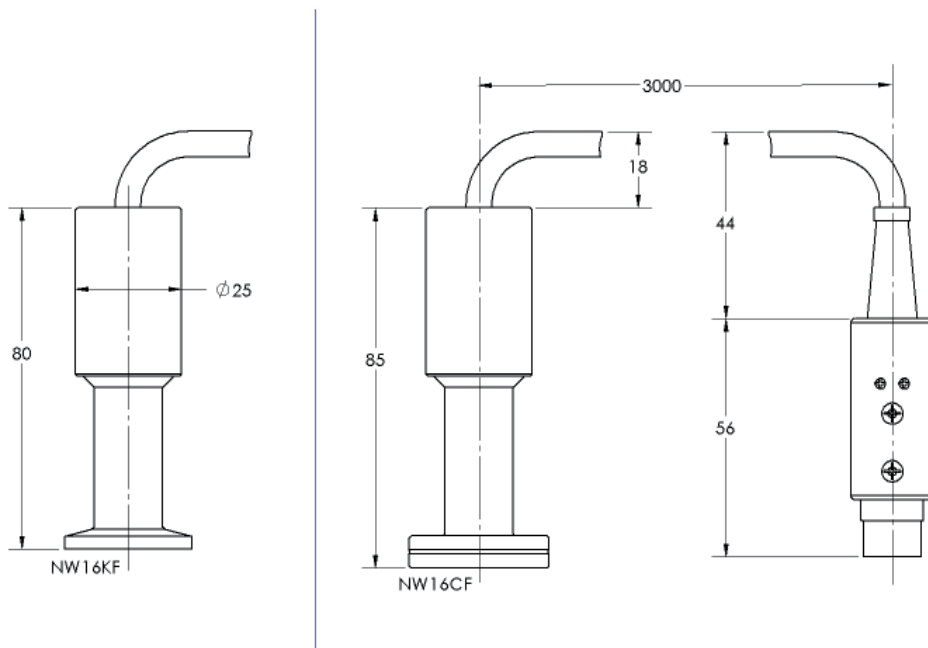
FEATURES

- Range: 200 mbar to 1×10^{-3} mbar
- Intended for use in constant-voltage bridge circuits, which reduces the filament temperature and the rate of filament corrosion or contamination at high pressures
- May be interchanged between any AML NGC / PGC series or equivalent controllers without recalibration
- Integral 3-metre lead and connector
- Extension cables do not affect the calibration
- Mounts in any orientation
- 200°C bakeable version available
- RoHS compliant

SPECIFICATIONS

	PVU3	PVB3
Measuring principle	Thermal conductance according to Pirani	
Measurement range	200mbar to 1×10^{-3} mbar	
Maximum operating temperature	+45°C	
Maximum bake temperature	100°C	200°C
Filament material	Tungsten	
Mounting orientation	Any (factory calibrated vertical)	
Degree of protection	IP40	
Vacuum Flange	KF16	CF16
Weight	120g	130g
Cable length	3 metres	
Materials exposed to vacuum	Stainless steel, glass, tungsten	

DIMENSIONS



ORDERING INFORMATION

Order Code	
PVU3	Pirani Gauge, Non-bakeable, NW16KF
PVB3	Pirani Gauge, Bakeable, NW16CF
PVX10	Pirani extension lead, non bakeable, 10 metres



Arun Microelectronics Ltd
Fitzalan Road
Arundel
West Sussex
BN18 9JS

Tel: +44 (0)1903 884141
email: sales@arunmicro.com

AML pursues a policy of continuous improvement and reserves the right to make detail changes to specifications without consultation. E and OE.

